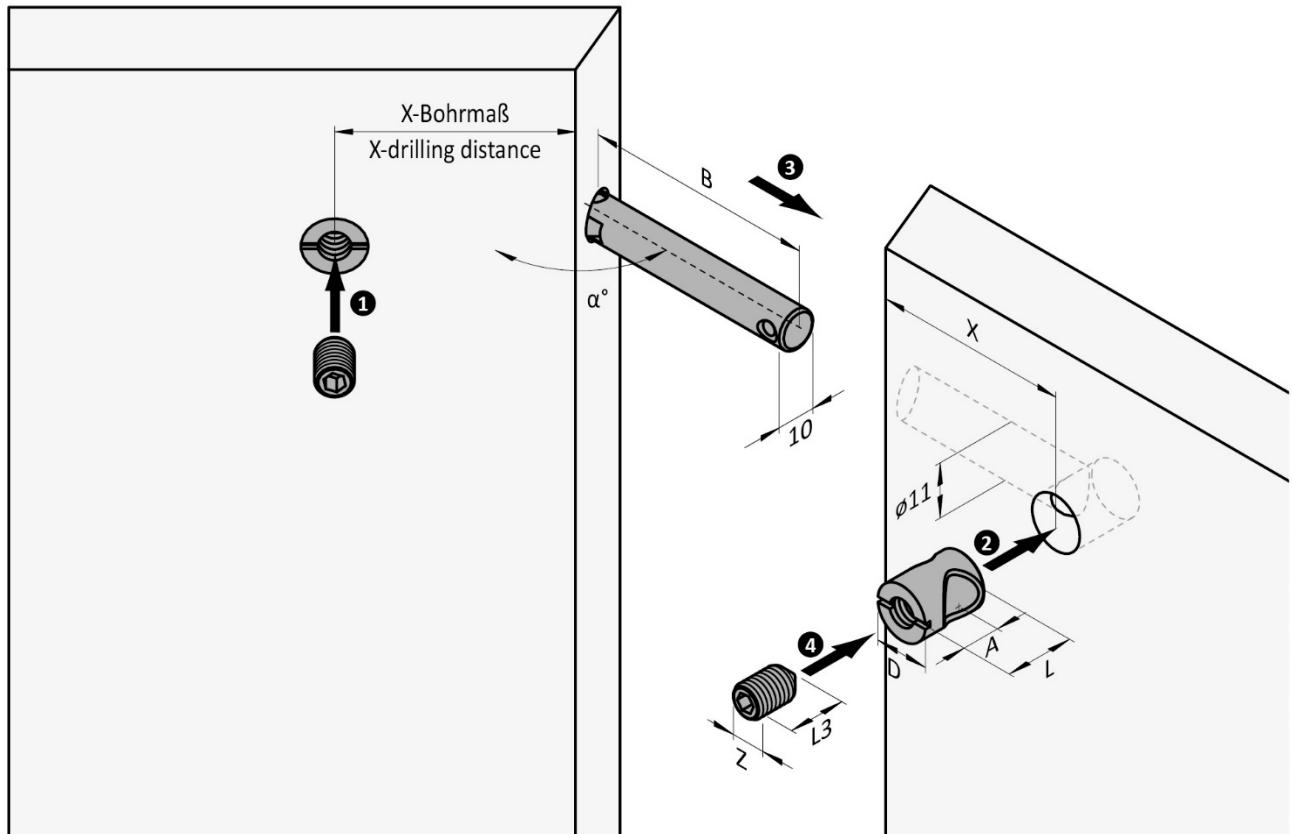




XS Verbinder – Gehrungsverbindung 2-seitig
XS Connector – mitre connection

bestehend aus: XS Gehäuse ø15 mm, XS Gewindestift M10, ISK (Innensechskant), XS Stahldübel ø10 mm
consisting of: XS Housing ø15 mm, XS Grub Screw M10, ISK (hexagon), XS Steel Dowel ø10 mm

Einbausituation / assembly drawing



Gehäuse ø15 / housing ø15					
Artikel-Nr. order-no.	Material M	L	A	D	VE PU
D01035	20	17	10,0	15	100
D01002	22	19	12,0	15	100
D01003	28	21	14,0	15	100
D01004	30	28	13,0	15	100

Stift M10/ grub screw M10			
Artikel-Nr. order-no.	L3	Z	VE PU
D01036	10,0	ISK	100
D01005	12,5	ISK	100
D01005	12,5	ISK	100
D01005	12,5	ISK	100

Gelenkdübel / mitre dowel				
Artikel-Nr. order-no.	ø	L1	B/B	VE PU
D01009	10	152	68,5/68,5	25

Hinweis / Please note:

Beispiel-Kombination: / Example of combination: D01002 + D01005 + D01009

→: Gehäuse mit diesem Gewindestift kombinieren / →: Combine Housing with this Grub Screw

M: Materialstärke; Alle Abmessungen in mm / M: Board thickness; All dimensions in mm

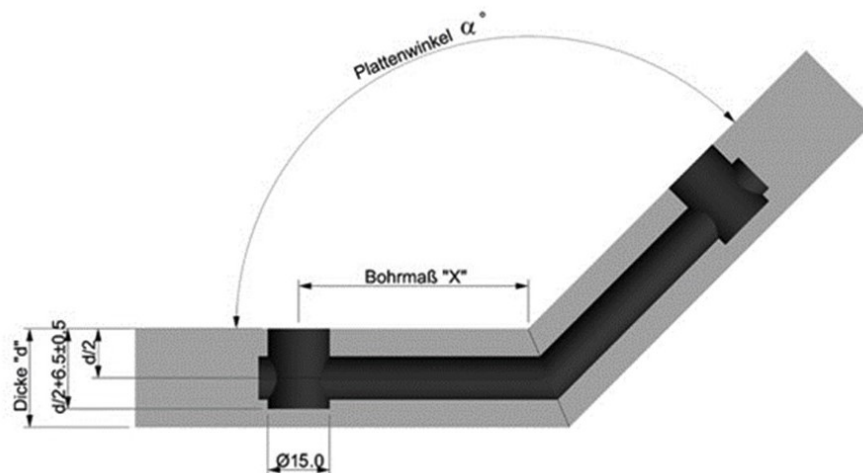
Bohrabstand X siehe Bohrtabelle / Drilling distance X in drilling chart

XS Verbinder – Gehrungsverbindung zweiseitig

XS Connector – mitre connection two sided

bestehend aus: XS Gehäuse ø15 mm, XS Gewindestift M10, ISK (Innensechskant), XS Stahldübel ø10 mm
consisting of: XS Housing ø15 mm, XS Grub Screw M10, ISK (hexagon), XS Steel Dowel ø10 mm

Einbausituation / assembly drawing



Bohrmaß „X“ (theor.) in mm für Gelenkdübel ø10 mm, Toleranz: -0,5/+1,0 mm, Ein Probeanschlag wird empfohlen!
Drilling distance „X“ (theor.) in mm mitre dowel ø10 mm, Tolerance: -0,5/+1,0 mm, test it in advance with samples!

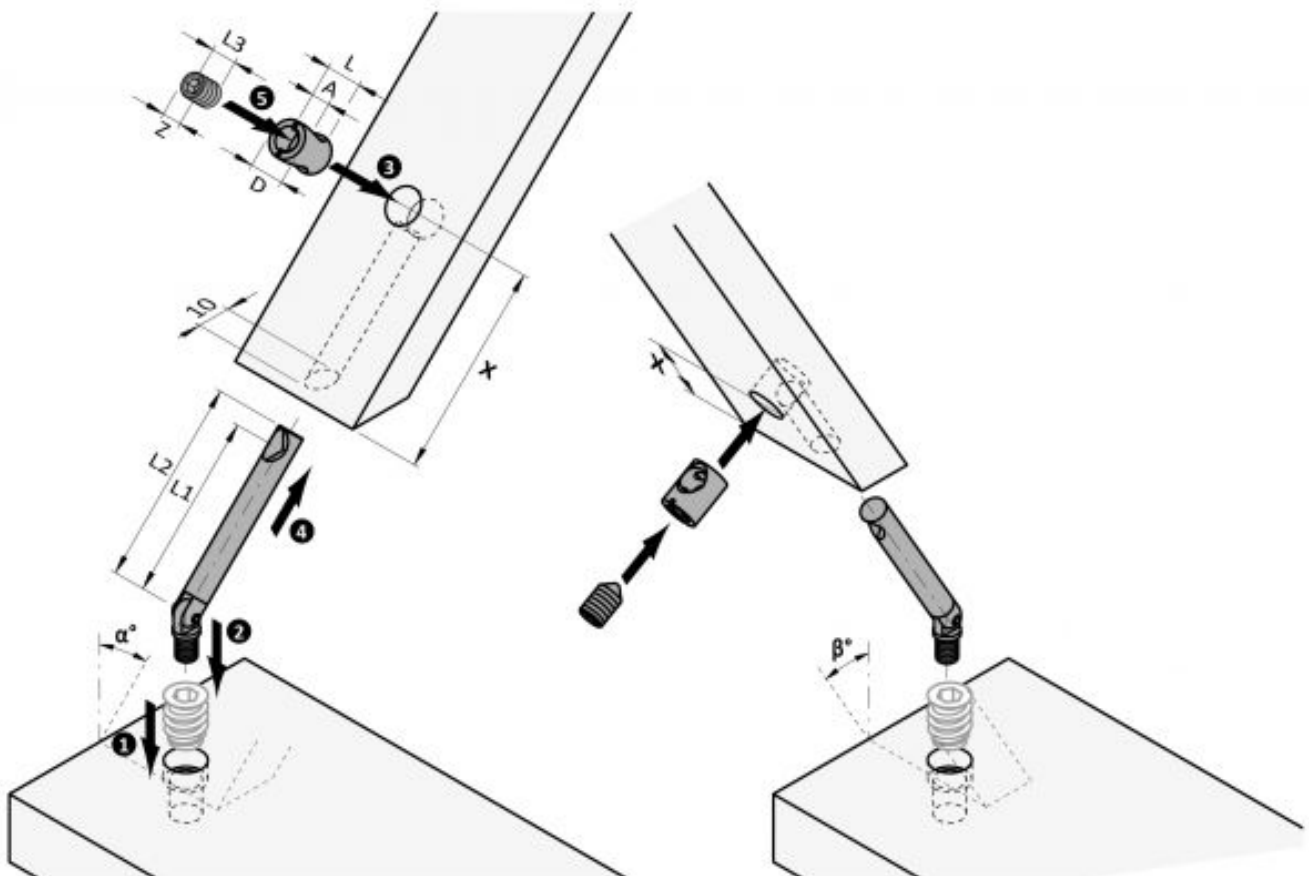
Winkel α	Plattendicke / Board thickness (mm)				
Angel α	22	24	26	28	30
80°	55,9	54,7	53,5	52,3	51,1
85°	57,0	55,9	54,8	53,7	52,6
90°	58,0	57,0	56,0	55,0	54,0
95°	58,8	58,0	57,1	56,2	55,3
100°	59,8	58,9	58,1	57,3	56,4
105°	60,6	59,8	59,0	58,3	57,5
110°	61,3	60,6	59,9	59,2	58,5
115°	62,0	61,4	60,7	60,1	59,4
120°	62,6	62,1	61,5	60,9	60,3
125°	63,3	62,8	62,2	61,7	61,2
130°	63,9	63,4	62,9	62,5	62,0
135°	64,4	64,0	63,6	63,2	62,8
140°	65,0	64,6	64,3	63,9	63,5
145°	65,5	65,2	64,9	64,6	64,3
150°	66,1	65,8	65,5	65,2	65,0
155°	66,6	66,3	66,1	65,9	65,7
160°	67,1	66,9	66,7	66,5	66,4
165°	67,6	67,4	67,3	67,2	67,0
170°	68,0	68,0	67,9	67,8	67,7
175°	68,5	68,5	68,4	68,4	68,3
180°	69,0	69,0	69,0	69,0	69,0

XS Verbinder – Gehrungsverbindung einseitig

XS Connector – mitre connection one sided

bestehend aus: XS Gehäuse ø15 mm, XS Gewindestift M10, ISK (Innensechskant), XS Gelenkdübel ø10 mm
consisting of: XS Housing ø15 mm, XS Grub Screw M10, ISK (hexagon), XS Steel Dowel ø10 mm

Einbausituation / assembly drawing



Gehäuse ø15 / housing ø15					
Artikel-Nr. order-no.	Material M	L	A	D	VE PU
D01035	20	17	10,0	15	100
D01002	22	19	12,0	15	100
D01003	28	21	14,0	15	100
D01004	30	28	13,0	15	100

Stift M10/ grub screw M10			
Artikel-Nr. order-no.	L3	Z	VE PU
D01036	10,0	ISK	100
D01005	12,5	ISK	100
D01005	12,5	ISK	100
D01005	12,5	ISK	100

Gelenkdübel / mitre dowel				
Artikel-Nr. order-no.	ø	L1	L2	VE PU
D01012	10	68,5	75,5	25

Hinweis / Please note:

Beispiel-Kombination: / Example of combination: D01002 + D01005 + D01012

→: Gehäuse mit diesem Gewindestift kombinieren / →: Combine Housing with this Grub Screw

M: Materialstärke; Alle Abmessungen in mm / M: Board thickness; All dimensions in mm

Bohrabstand X siehe Bohrtabelle / Drilling distance X in drilling chart

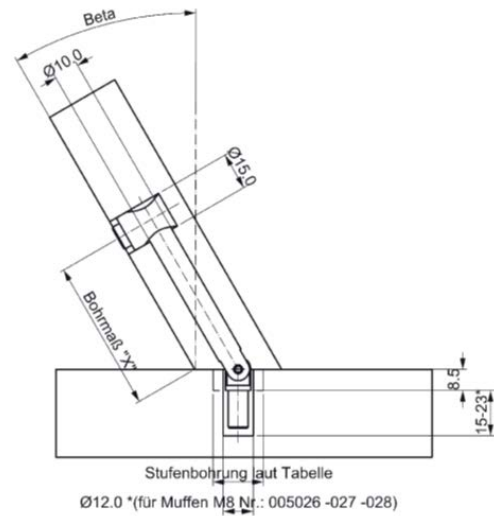
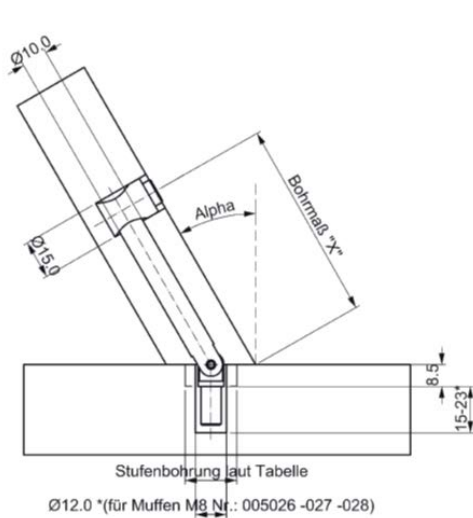
Bohrabstand X: Siehe Bohrtabelle / Drilling distance X: See drilling chart

Bohrmaß „X“ (theor.) in mm für Gelenkdübel einseitig ø10 mm, Toleranz: -0,5/+1,0 mm; **Ein Probeanschlag wird empfohlen!**

Drilling distance “X” (theor.) in mm for Mitre Dowel ø10 mm, Tolerance: -0,5/+1,0 mm; **A test with a sample is recommended!**



XS Verbinder – Gehrungsverbindung einseitig
XS Connector – mitre connection one sided



Winkel α	ALPHA Plattenstärke / board thickness (mm)										Stufenbohrung ϕ
Angel α	20	22	24	26	28	30	32	34	36	38	2-step-drilling ϕ
0°	69,0	69,0	69,0	69,0	69,0	69,0	69,0	69,0	69,0	69,0	keine/no
5°	69,0	70,0	70,0	70,0	70,0	70,5	70,5	70,5	70,5	70,5	keine/no
10°	71,0	71,0	71,0	71,5	71,5	71,5	72,0	72,0	72,0	72,5	keine/no
15°	71,5	72,0	72,0	72,5	73,0	73,0	73,5	73,5	74,0	74,0	keine/no
20°	72,5	73,0	73,5	73,5	74,0	74,5	75,0	75,0	75,5	76,0	keine/no
25°	73,5	74,0	74,5	75,0	75,5	76,0	76,5	77,0	77,5	78,0	keine/no
30°	74,8	75,4	76,0	76,5	77,0	77,7	78,2	79,0	79,5	80,0	keine/no
35°	76,0	76,5	77,5	78,0	79,0	79,5	80,0	81,0	81,5	82,0	16,0
40°	77,5	79,0	79,0	80,0	80,5	81,5	82,5	83,5	84,0	85,0	16,0
45°	79,0	80,0	81,0	82,0	83,0	84,0	85,0	86,0	87,0	88,0	16,0
50°	81,0	82,0	83,5	84,5	85,5	87,0	88,0	89,5	90,5	91,5	20,0
55°	83,3	84,5	86,0	87,5	89,0	90,5	92,0	93,5	94,5	96,0	20,0
60°	86,5	88,0	90,0	91,5	93,0	95,0	96,5	98,5	100,0	102,0	20,0

Winkel β	BETA Plattenstärke / board thickness (mm)										Stufenbohrung ϕ
Angel β	20	22	24	26	28	30	32	34	36	38	2-step-drilling ϕ
0°	69,0	69,0	69,0	69,0	69,0	69,0	69,0	69,0	69,0	69,0	keine/no
5°	68,0	68,0	68,0	68,0	68,0	67,5	67,5	67,5	67,5	67,5	keine/no
10°	67,0	67,0	67,0	66,5	66,5	66,5	66,0	66,0	66,0	65,5	keine/no
15°	66,5	66,0	66,0	65,5	65,0	65,0	64,5	64,5	64,0	64,0	keine/no
20°	65,5	65,0	64,5	64,5	64,5	64,0	63,5	63,0	62,5	62,0	keine/no
25°	64,5	64,0	63,5	63,0	62,5	62,0	61,5	61,0	60,5	60,0	keine/no
30°	63,0	6,5	62,0	61,5	61,0	60,5	60,0	59,0	58,5	58,0	keine/no
35°	62,0	61,5	60,5	60,0	59,0	58,5	58,0	57,0	56,5	55,5	16,0
40°	60,5	60,0	60,0	58,0	57,5	56,5	55,5	54,5	54,0	53,0	16,0
45°	59,0	58,0	57,0	56,0	55,0	54,0	53,0	52,0	51,0	50,0	16,0
50°	57,0	56,0	54,5	53,5	52,5	51,0	50,0	48,5	47,5	46,5	20,0
55°	54,5	53,5	52,0	50,5	49,0	47,5	46,0	44,5	43,5	42,0	20,0
60°	51,5	50,0	48,0	46,5	45,0	43,0	41,5	39,5	38,0	36,0	20,0